



ULTRA

5 KVA & 7.5 KVA

MPPT HYBRID SOLAR PCU



MAX PV INPUT CURRENT 27A

Designed with 27A PV input current compatible to the market trend of increased I_{mp} in solar panel.



BATTERY

Battery equalization function extend life cycle reserved communication port (RS485, CAN) for BMS.



INTERFACE

Global cloud platform mobile APP anytime and anywhere open APP support power internet applications.



EASY ACCESS

Two outputs for smart load management. The second output can be scheduled on & off based on setting point of battery transfer to utility.



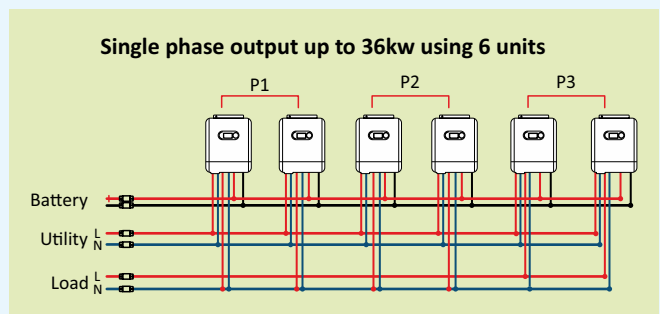
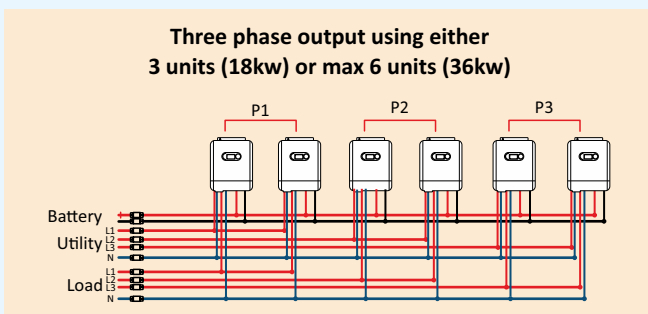
OFF-GRID AND ON-GRID

Smarten HM series is suitable for on-grid and off-grid application.



PROTECT

Built-in anti-dust kit for harsh environment, AC over current, AC over voltage, over temperature protection.



PRODUCT SPECIFICATIONS		
MODEL NAME	5KVA/4000W	7.5KVA/6000W
AC INPUT		
AC Voltage	230VAC	
Voltage Range	170-280VAC (For Personal Computers), 90-280VAC (For Home Appliances)	
Frequency Range	50/60Hz (Auto Sensing)	
AC OUTPUT		
Surge Power	8000VA	12000VA
Ac Voltage Regulation (Battery Mode)	230VAC \pm 5%	
Rated Frequency	50Hz / 60Hz	
Efficiency (Peak)	93%	
Transfer Time	10ms (For Personal Computer), 20ms (For Home Appliances)	
BATTERY		
Battery Voltage	24 VDC	48 VDC
Floating Charge Voltage	27 VDC	54 VDC
Overcharge Protection	33 VDC	63 VDC
Battery Type	Lithium / Lead acid	
SOLAR CHARGER & AC CHARGER		
Maximum PV Array Open Voltage (V)	500 VDC	
Maximum PV Array Power	5000W	7000W
MPPT Voltage Range (V)	60-450 VDC	
Maximum Input Current	27A	
MPPT tracker / strings	1	
Maximum Solar Charge Current	120A	
Maximum AC Charge Current	100A	
Maximum Charge Current	120A	
PROTECTION & FEATURE		
AC Overcurrent	Yes	
AC Overvoltage	Yes	
AC Temperature Protection	Yes	
Smart Load Management	Yes	
On Grid	Yes	
Parallel Function	Yes (Optional)	
GENERAL PARAMETERS		
Operation temperature	-10°C - 50°C	
Relative Humidity	5% - 95% (Non-condensing)	
Attitude	(2000m Derating)	
Dimesnions DxWxH (mm)	466x313x136.5	
Net Weight (Kg)	8.5	9
DISPLAY AND COMMUNICATION		
Display	Touch Buttons	
Interface	Standard; RS232, USB, CAN&RS485; Optional: WiFi, Bluetooth	
Safety Standard	EN/IEC62109-1, EN/IEC62109-2	

Smarten Power Systems Pvt. Ltd.

Plot No. 374, Pace City-II, Sector-37, Gurugram, Haryana - 122001, India